

ALKON[®]

MATERIAL HANDLING & OFFICE PRODUCTS



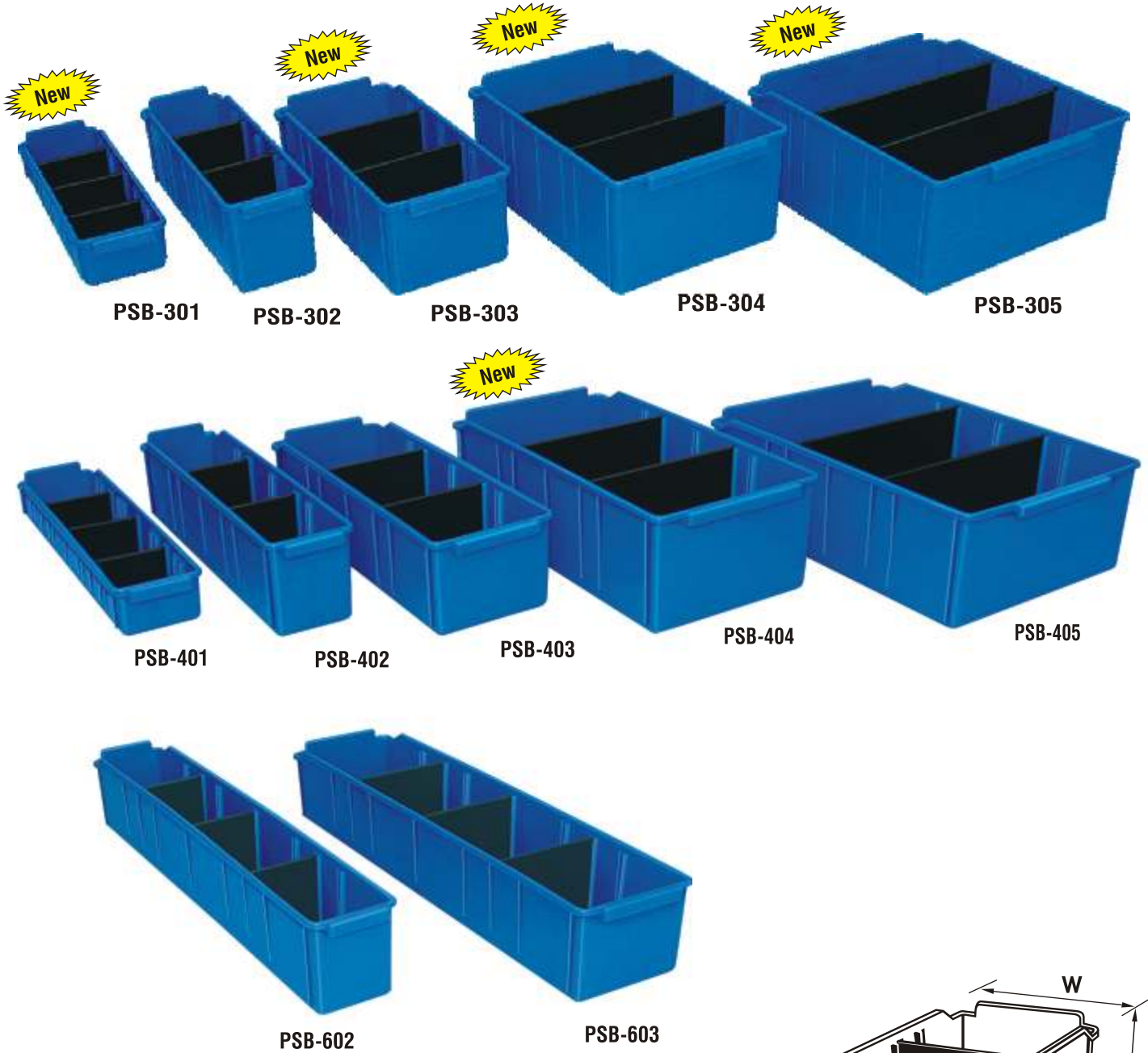
**SHREERAM METAFUSION
ENGINEERS PVT. LTD.,**

SHOP-1, GAGANGIRI, SECTOR 17,
VASHI, NAVI MUMBAI 400-703

TEL: 2789 1522 / 2789 1549 FAX : 67910 552

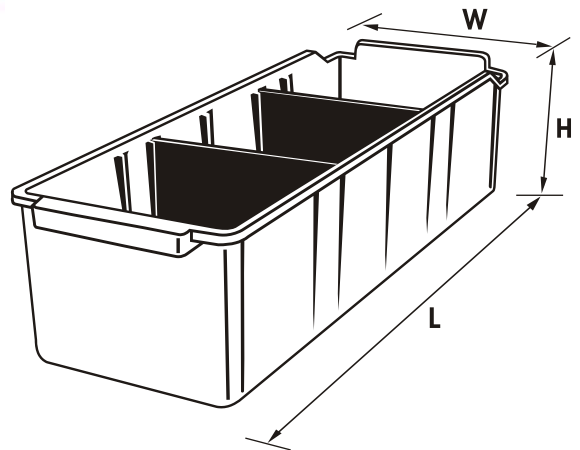
EMAIL : metafusion@vsnl.net





MADE FROM POLYPROPYLENE COPOLYMER.

- ▶ Designed to fit roll post shelving systems.
- ▶ Twelve standard sizes to suit 300 mm, 400 mm & 600 mm deep shelving.
- ▶ Integral back stop for clear viewing of PANDA BIN contents.
- ▶ Dividers are notched to ensure positive location within the bins.
- ▶ PANDA BINS feature a small handle to allow maximum area of the front face for sticking identification labels.
- ▶ The PANDA BINS use a unique design for added strength.



BIN DIMENSIONS

ART NO.	Outside Dimensions in mm			Inside Dimensions in mm			No. of DIVIDERS with each Bin
	Length	Width	Height	Length	Width	Height	
PSB-301	315	100	60	293	86	55	3
PSB-302	315	100	110	293	86	105	2
PSB-303	315	150	110	293	136	105	2
PSB-304	315	220	135	293	206	130	2
PSB-305	315	300	135	293	282	130	2
PSB-401	415	100	60	393	86	55	3
PSB-402	415	100	110	393	86	105	2
PSB-403	415	150	110	393	136	105	2
PSB-404	415	220	135	393	206	130	2
PSB-405	415	300	135	393	282	130	2
PSB-602	615	100	110	593	86	105	3
PSB-603	615	150	110	593	136	105	3

All dimensions in mm approx.

Colours :



Blue for Bins



Grey for Shelving



Black for Dividers



Roll Post Shelving System



Integral back stop allows viewing of contents



Snap-in Divider Fitted in PANDA SHELF BIN