

# ALKON<sup>®</sup>

**MATERIAL HANDLING & OFFICE PRODUCTS**



**SHREERAM METAFUSION  
ENGINEERS PVT. LTD.,**

SHOP-1, GAGANGIRI, SECTOR 17,  
VASHI, NAVI MUMBAI 400-703

TEL: 2789 1522 / 2789 1549 FAX : 67910 552

EMAIL : [metafusion@vsnl.net](mailto:metafusion@vsnl.net)





**BULL BIN 5**



**BULL BIN 15**



**BULL BIN 25**



**BULL BIN 35**



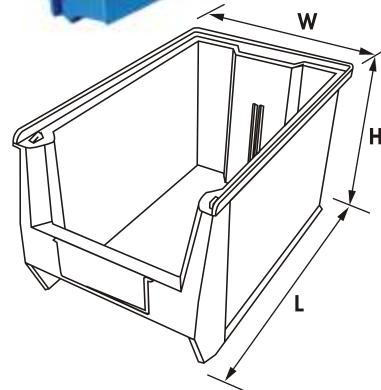
**BULL BIN 45**



**BULL BIN 55**

**MADE FROM POLYPROPYLENE COPOLYMER.**

- ▶ Provision for vertical dividers to increase storage options.
- ▶ Full length rear lip supports provided for hanging bins on louvered panels or rails.
- ▶ Anti skid strips provided at the base.
- ▶ Extra wide stacking base for secure stacking.
- ▶ Tapered front & rear bottom for easy movement on conveyers.
- ▶ Stopper prevents stacked bins from shifting forward.
- ▶ Extra wide label slot for easy content identification.



ART NO.	OUTSIDE DIMENSIONS IN MM			INSIDE DIMENSIONS IN MM		
	Length	Width	Height	Length	Width	Height
<b>BULL BIN 5</b>	168	102	74	145	86	66
<b>BULL BIN 15</b>	201	125	101	178	105	92
<b>BULL BIN 25</b>	229	150	126	192	128	114
<b>BULL BIN 35</b>	300	208	158	255	185	145
<b>BULL BIN 45</b>	348	210	200	305	187	185
<b>BULL BIN 55</b>	510	310	200	480	280	195

All Dimension in mm Approx.

Colors for all Bins :  Red  Blue  Grey  Green  Yellow ( Bull Bin 55 - Red & Blue colour only)

## BIN PARTITIONS

Vertical Partition for BULL BINS. Available as an accessory to increase storage options

### BULL BIN 25 VERTICAL PARTITION

Art No.: BULL BIN 25 VP

### BULL BIN 35 VERTICAL PARTITION

Art No.: BULL BIN 35 VP

### BULL BIN 45 VERTICAL PARTITION

Art No.: BULL BIN 45 VP

## LOUVRE PANELS

are manufactured from 1.5 mm CRCA steel and powder coated in grey color. BULL BINS can be mounted with ease in variable combinations as listed Below.

LOUVRE PANEL		NUMBER OF BINS				
ART NO.	SIZE	BULL BIN 5	BULL BIN 15	BULL BIN 25	BULL BIN 35	BULL BIN 45
LP 1	457 x 457	24	12	9	4	4
LP 2	457 x 610	36	15	12	6	6
LP 3	457 x 915	48	24	18	10	8
LP 6	457 x 1830	96	48	36	20	16

All Dimensions in mm

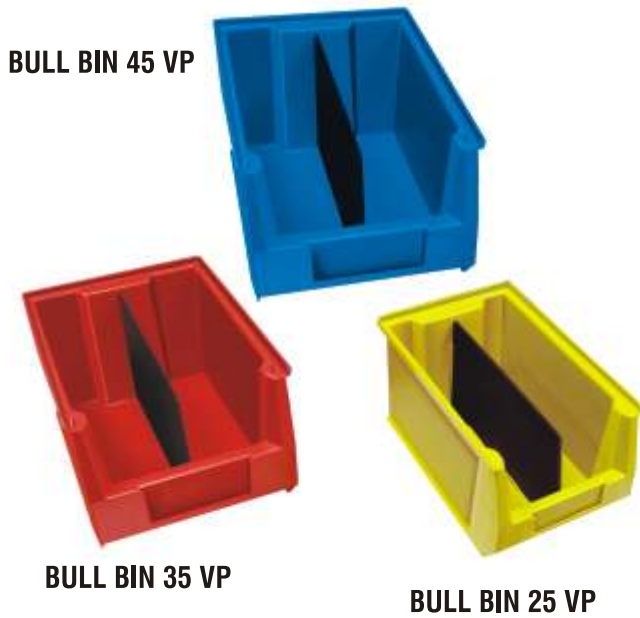
## UNIVERSAL RAIL

Universal rail ( SIZE 914 MM L X 75 MM H ) made from steel and powder coated in grey color Can be mounted on any surface like walls, benches, slotted angle systems, stands, and trolleys. These rails increase the flexibility of using different sizes of bins with ease and help in optimizing Storage space.

Art No.: AUR-1

No of Bins per UNIVERSAL RAIL

ART NO.	BULL BIN 5	BULL BIN 15	BULL BIN 25	BULL BIN 35	BULL BIN 45
NO. OF BINS	9	7	6	4	4



## DOUBLE SIDED STAND

Heavy duty double sided stand is ideal for use with BULL BINS in different combinations as detailed below. Please order BULL BINS, Rails (AUR-1), Stands (ARSS-2) separately as per your requirement. Stand can be also used single sided as per requirement.

**ARSS-2 DIMENSION 1030 X 635 X 1450 mm.**



ART NO.	BINS PERRAIL	RAILS PER ARSS		TOTAL NO. OF BINS
		Single Side	Double Side	
<b>BULL BIN 5</b>	9	12	-	135
<b>BULL BIN 15</b>	7	10	-	77
<b>BULL BIN 25</b>	6	9	-	54
<b>BULL BIN 35</b>	4	14	-	28
<b>BULL BIN 45</b>	4	10	-	20
<b>BULL BIN 5</b>	9	-	24	270
<b>BULL BIN 15</b>	7	-	20	154
<b>BULL BIN 25</b>	6	-	18	108
<b>BULL BIN 35</b>	4	-	28	56
<b>BULL BIN 45</b>	4	-	20	40

## DOUBLE SIDED TROLLEY

Heavy duty double sided trolley base fitted with heavy duty castors. Ideal for use with Bull bins in different combinations as required. Please order BULL BINS, Rails (AUR-1) and ARSS-3 (It consists of heavy duty trolley base ARSTM and Pipe set ARSP) separately.

**ARSS-3 DIMENSION 1030 X 640 X 1620 mm.**  
(1030 mm including handles on both sides)





FSS/L

**ALKON<sup>®</sup>**

◀ **LOUVRE PANEL STAND FSS/L**

Free standing stand FSS/L can be fitted with two numbers of LP2 LOUVRE PANELS on each side. Order louvre panels and bins separately.

**ART NO.: FSS/L**

**DIMENSION : 457 X 630 X 1560 mm**



FSS/L/2

**ALKON<sup>®</sup>**

**LOUVRE PANEL STAND FSS/L/2** ▶

Free standing stand FSS/L/2 can be fitted with four numbers of LP2 LOUVRE PANELS on each side. Order louvre panels and bins separately.

**ART NO.: FSS/L/2**

**DIMENSION : 914 X 630 X 1560 mm**



FSS/L/3

**ALKON<sup>®</sup>**

◀ **LOUVRE PANEL STAND FSS/L/3**

Free standing stand FSS/L/3 can be fitted with six numbers of LP2 LOUVRE PANELS on each side. Order louvre panels and bins separately.

**ART NO.: FSS/L/3**

**DIMENSION : 1371 X 630 X 1560 mm**